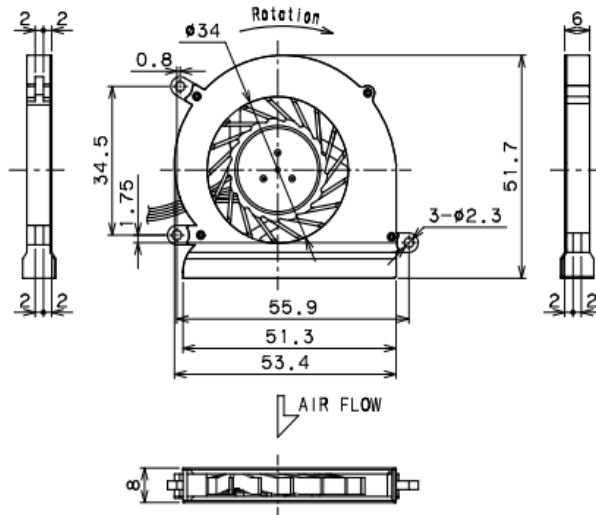


SEPA / NIPPON KEIKI WORKS, LTD

Double Inlet Blower Fan HY52A

■ Shapes & dimensions



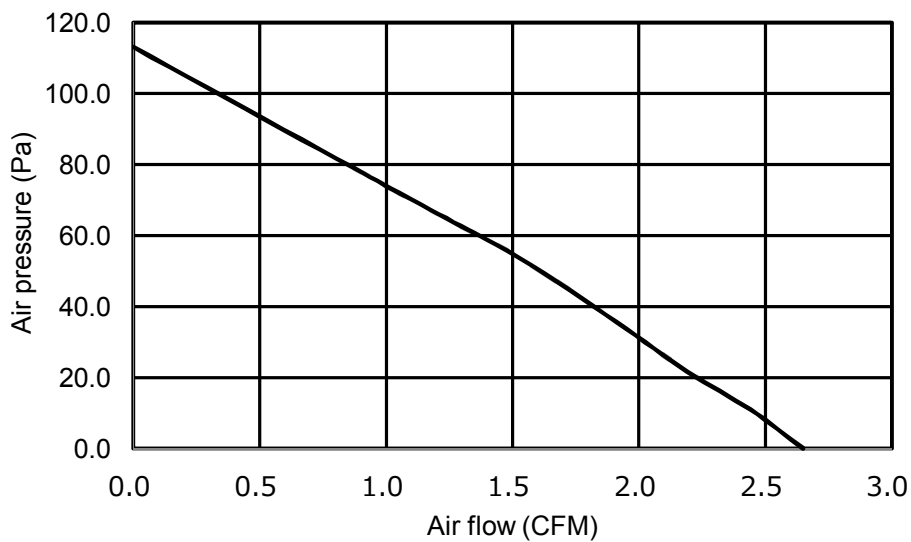
■ Performance

(Ta=25°C)

Model Type	HY52A05	
Dimensions	[mm]	51.3 × 51.7 × 6(8)
Rated voltage	[V]	5
Rated current	[A]	0.13
Max. air flow	[CFM]	2.65
	[m ³ /min]	0.075
Max. air pressure	[Pa]	113.0
Noise level(typ.) *	[dBA] at 1m	33
Speed (typ.)	[rpm]	5,700

Note: (*) Measured at 1m from the air intake side of the fan.

Air flow vs. pressure characteristic



● The specifications are subject to change without notice due to continual improvements.