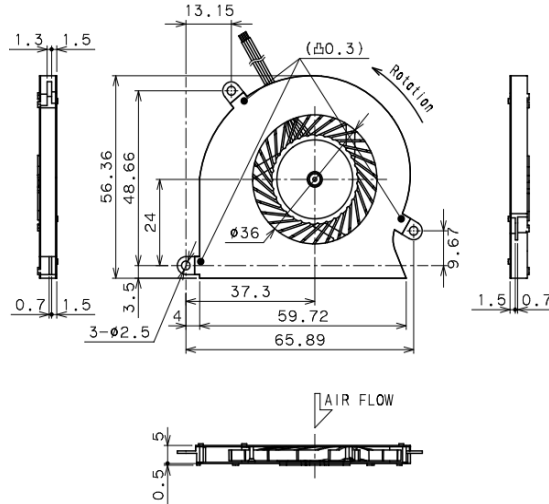


SEPA / NIPPON KEIKI WORKS, LTD

Double Inlet Blower Fan HY60Q

■ Shapes & dimensions



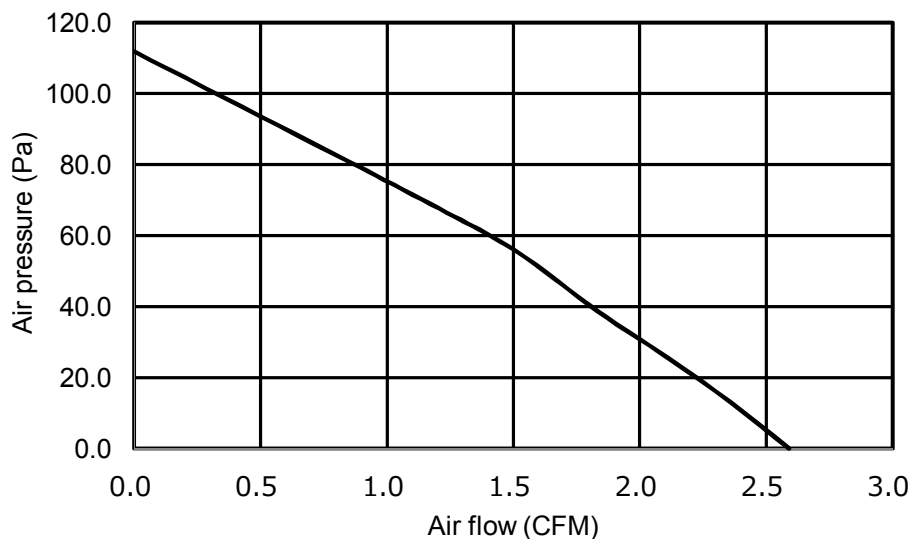
■ Performance

($T_a=25^{\circ}\text{C}$)

Model Type	HY60Q05
Dimensions [mm]	60×60×5
Rated voltage [V]	5
Rated current [A]	0.20
Max. air flow [CFM]	2.59
[m^3/min]	0.073
Max. air pressure [Pa]	111.8
Noise level(typ.) * [dBA] at 1m	28
Speed (typ.) [rpm]	4,800

Note: (*) Measured at 1m from the air intake side of the fan.

Air flow vs. pressure characteristic



● The specifications are subject to change without notice due to continual improvements.