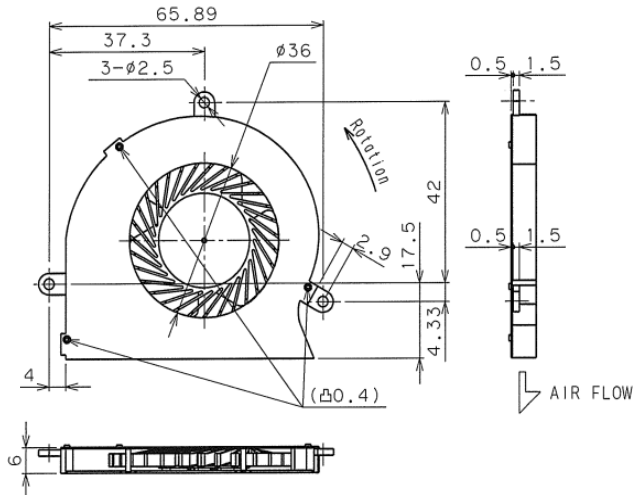


SEPA / NIPPON KEIKI WORKS, LTD

Double Inlet Blower Fan HY60W

■ Shapes & dimensions



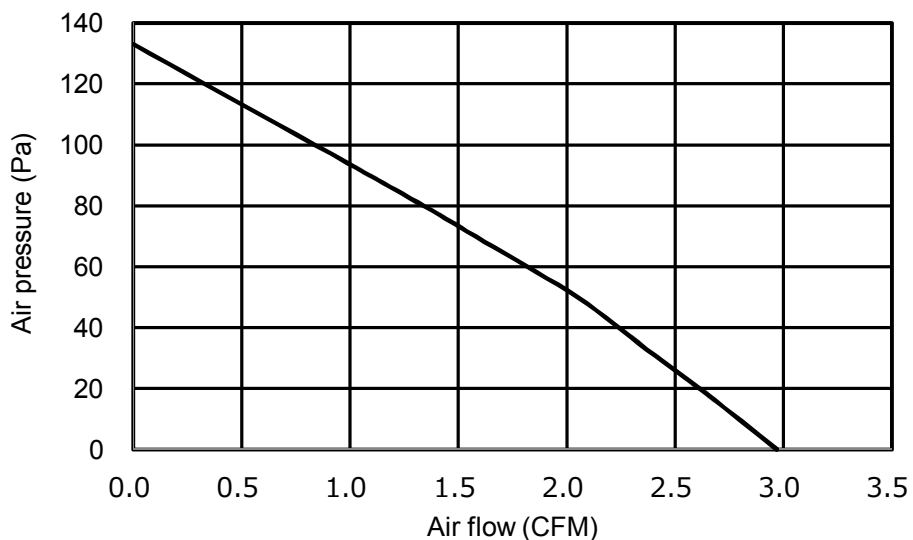
■ Performance

(Ta=25°C)

Model Type	HY60W05
Dimensions [mm]	60×60×6
Rated voltage [V]	5
Rated current [A]	0.24
Max. air flow [CFM]	2.97
[m ³ /min]	0.084
Max. air pressure [Pa]	133.0
Noise level(typ.) * [dBA] at 1m	31
Speed (typ.) [rpm]	4,800

Note: (*) Measured at 1m from the air intake side of the fan.

Air flow vs. pressure characteristic



● The specifications are subject to change without notice due to continual improvements.