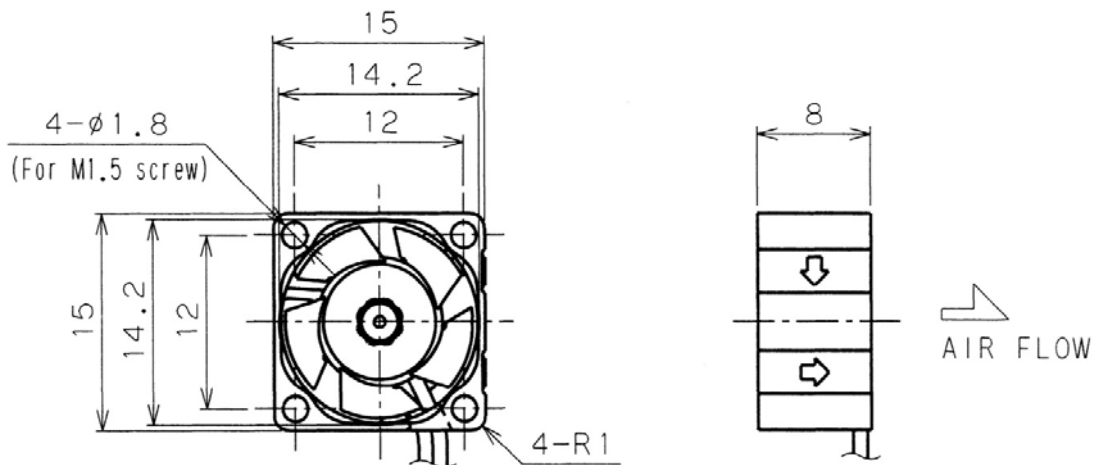


SEPA / NIPPON KEIKI WORKS, LTD

Axial Fan MF15A

■ Shapes & dimensions



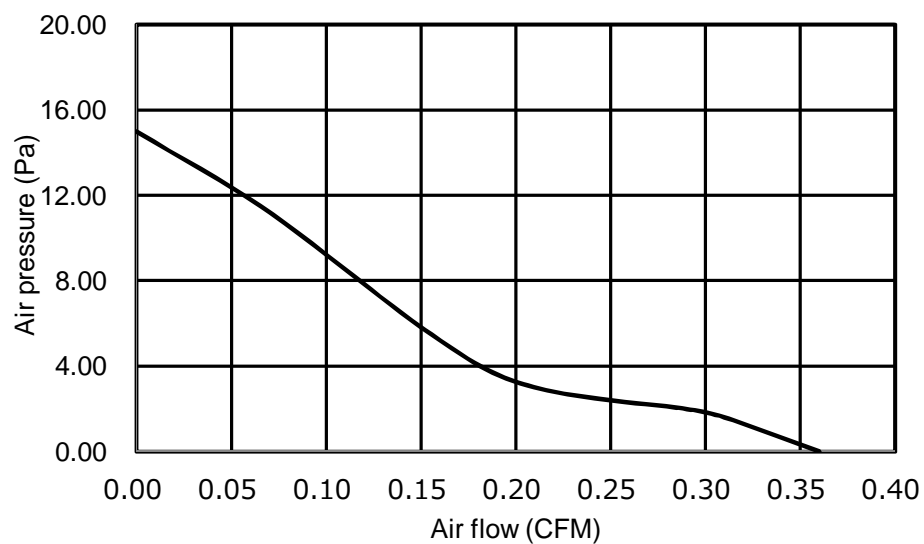
■ Performance

(Ta=25°C)

Model Type	MF15A-05
Dimensions [mm]	15×15×8
Rated voltage [V]	5
Rated current [A]	0.08
Max. air flow [CFM]	0.35
[m ³ /min]	0.01
Max. air pressure [Pa]	15
Noise level(typ.) [dBA] at 1m	8
Speed (typ.) [rpm]	11,000

Note: (*) Measured at 1m from the side of the fan.

Air flow vs. pressure characteristic



● The specifications are subject to change without notice due to continual improvements.