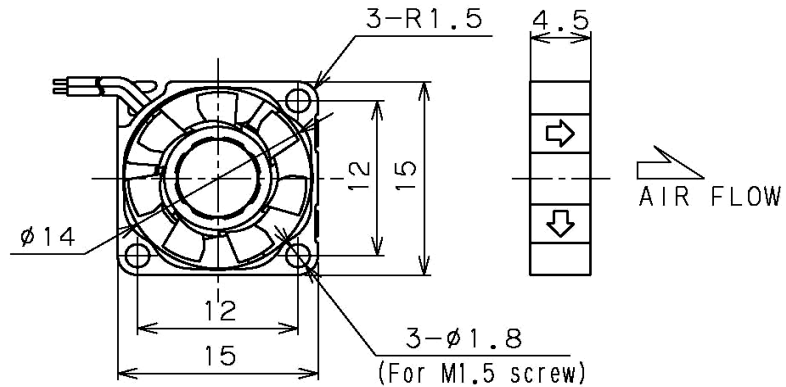


Axial Fan MF15B

■ Shapes & dimensions

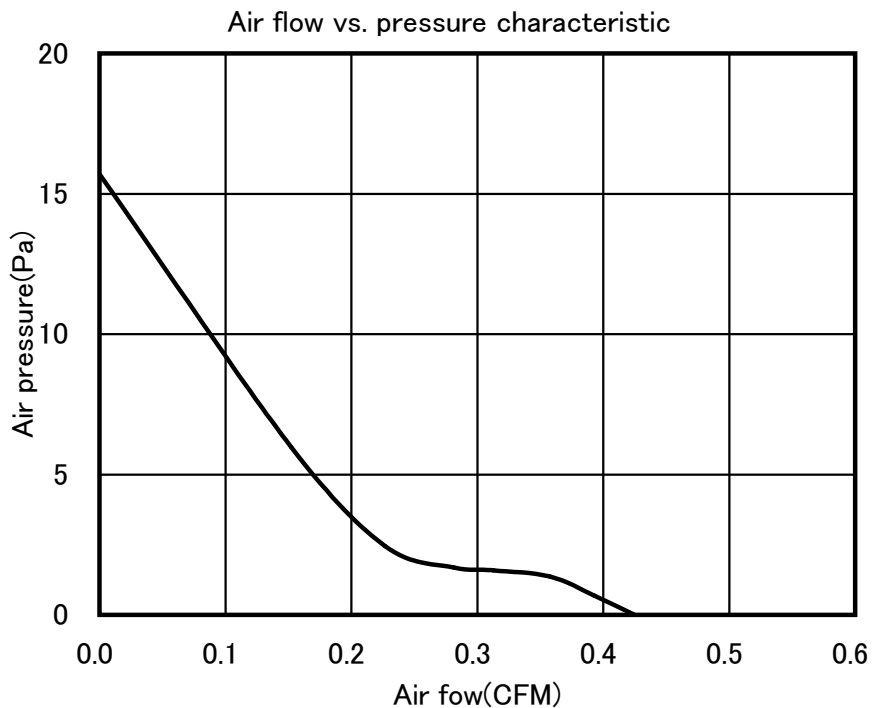


■ Performance

(Ta=25°C)

Model Type	MF15B-05
Dimensions [mm]	15 × 15 × 4.5
Rated voltage [V]	5
Rated current [A]	0.06
Max. air flow [CFM]	0.42
[m ³ /min]	0.012
Max. air pressure [Pa]	15.7
Noise level ^(*) (typ.) [dBA]	12
Speed (typ.) [rpm]	13,000

Note: (*) Measured at 1m from the side of the fan.



● The specifications are subject to change without notice due to continual improvements.