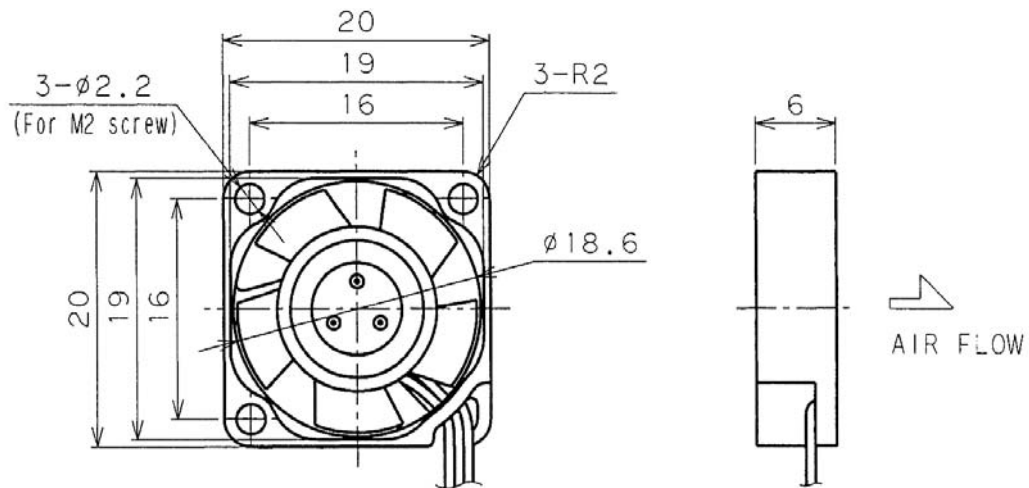


SEPA / NIPPON KEIKI WORKS, LTD

Axial Fan MF20G

■ Shapes & dimensions



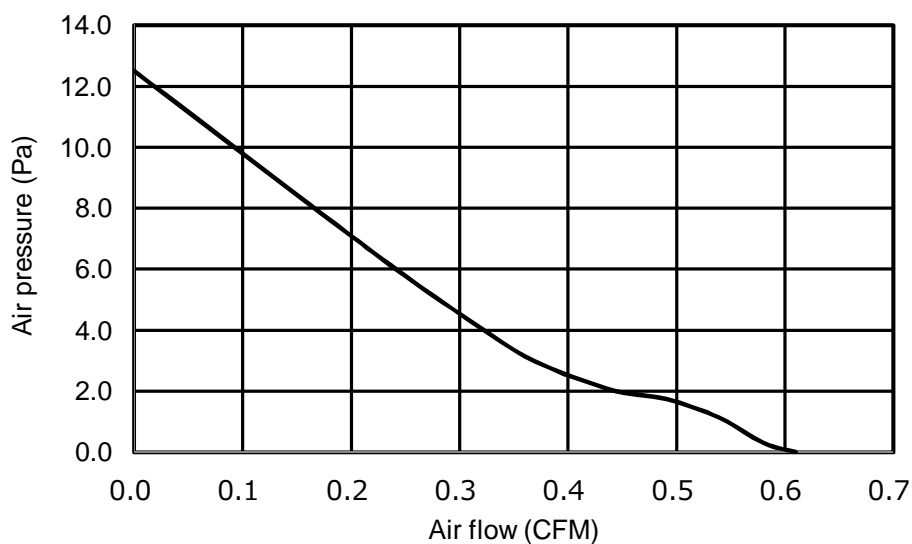
■ Performance

($T_a=25^\circ\text{C}$)

Model Type	MF20G-05
Dimensions [mm]	20×20×6
Rated voltage [V]	5
Rated current [A]	0.06
Max. air flow [CFM]	0.61
[m ³ /min]	0.017
Max. air pressure [Pa]	12.5
Noise level(typ.) [dBA] at 1m	7
Speed (typ.) [rpm]	8,600

Note: (*) Measured at 1m from the side of the fan.

Air flow vs. pressure characteristic



● The specifications are subject to change without notice due to continual improvements.