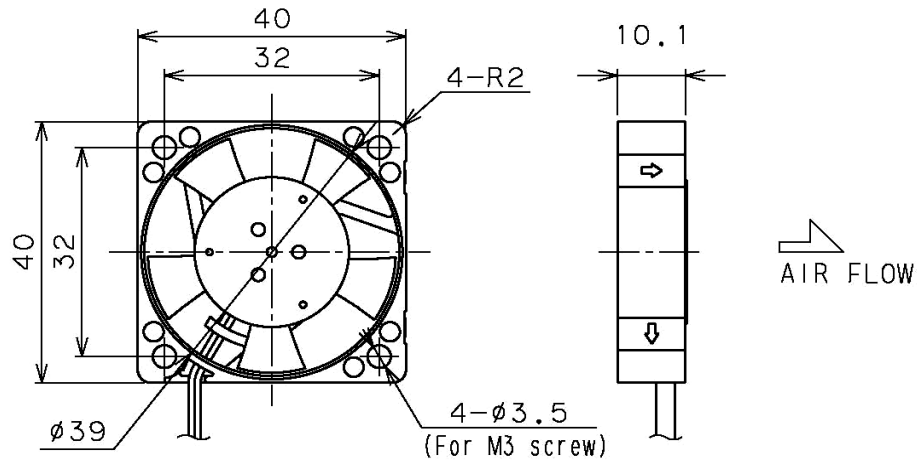


Axial Fan LF40A

■ Shapes & dimensions



■ Performance

(Ta=25°C)

Model Type	LF40A-12
Dimensions [mm]	40x40x10.1
Rated voltage [V]	12
Rated current [A]	0.05
Max. air flow [CFM]	5.91
[m ³ /min]	0.167
Max. air pressure [Pa]	36.6
Noise level ^(*) (typ.) [dBA]	20
Speed (typ.) [rpm]	6,700

Note: (*) Measured at 1m from the side of the fan.

