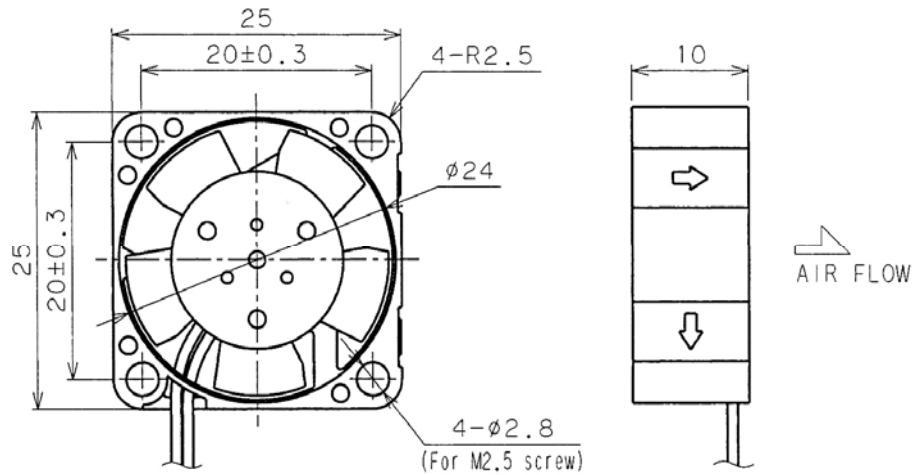


SEPA / NIPPON KEIKI WORKS, LTD

Axial Fan MFC25F

■ Shapes & dimensions



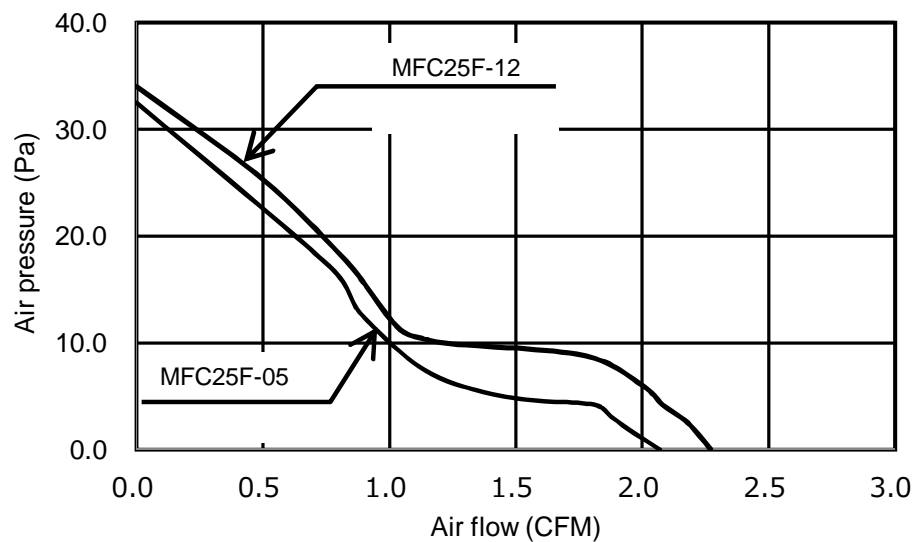
■ Performance

(Ta=25°C)

Model Type	MFC25F-05	MFC25F-12
Dimensions [mm]	25x25x10	25x25x10
Rated voltage [V]	5	12
Rated current [A]	0.11	0.06
Max. air flow [CFM]	2.09	2.26
[m ³ /min]	0.059	0.064
Max. air pressure [Pa]	32.5	34
Noise level(typ.) [dBA] at 1m	21	21
Speed (typ.) [rpm]	9,300	10,000

Note: (*) Measured at 1m from the side of the fan.

Air flow vs. pressure characteristic



● The specifications are subject to change without notice due to continual improvements.