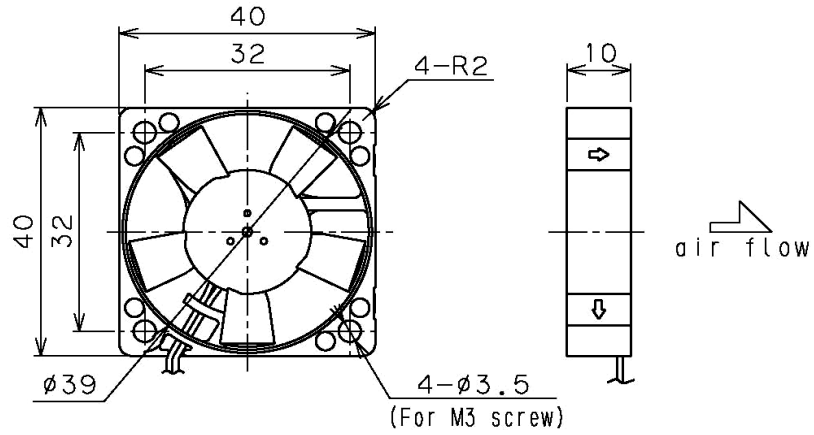


# SEPA / NIPPON KEIKI WORKS, LTD

## Axial Fan MF40F

### ■ Shapes & dimensions

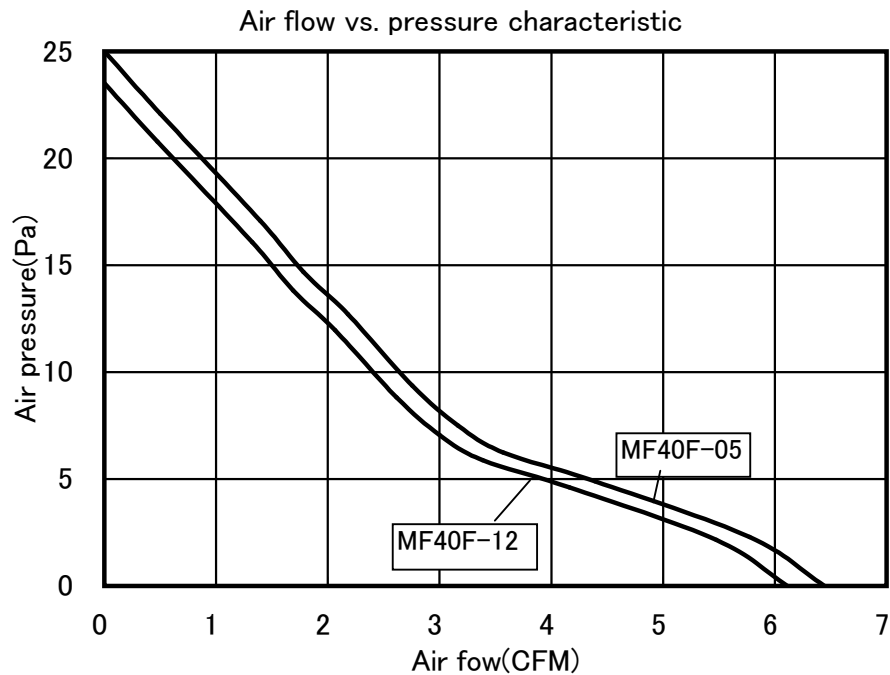


### ■ Performance

(Ta=25°C)

Model Type	MF40F-05	MF40F-12
Dimensions [mm]	40 × 40 × 10	40 × 40 × 10
Rated voltage [V]	5	12
Rated current [A]	0.09	0.06
Max. air flow [CFM]	6.37	6.02
[m <sup>3</sup> /min]	0.18	0.17
Max. air pressure [Pa]	25	23
Noise level <sup>(*)</sup> (typ.) [dBA]	22	23
Speed (typ.) [rpm]	5,800	5,500

Note: (\*) Measured at 1m from the side of the fan.



● The specifications are subject to change without notice due to continual improvements.