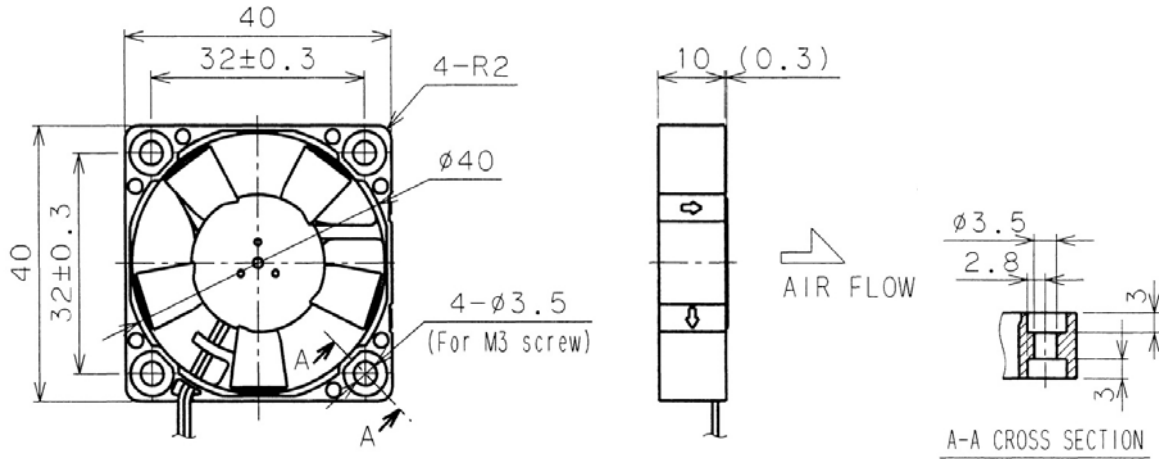


SEPA / NIPPON KEIKI WORKS, LTD

Axial Fan MF40H

■ Shapes & dimensions



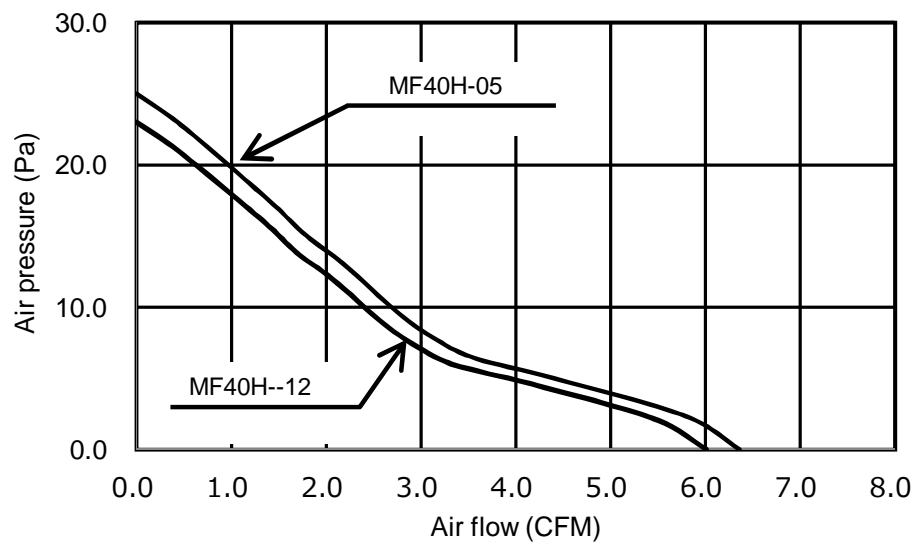
■ Performance

(Ta=25°C)

Model Type	MF40H-05	MF40H-12
Dimensions [mm]	40x40x10	40x40x10
Rated voltage [V]	5	12
Rated current [A]	0.09	0.06
Max. air flow [CFM]	6.36	6.01
[m ³ /min]	0.180	0.170
Max. air pressure [Pa]	25	23
Noise level(typ.) [dBA] at 1m	22	23
Speed (typ.) [rpm]	5,800	5,500

Note: (*) Measured at 1m from the side of the fan.

Air flow vs. pressure characteristic



● The specifications are subject to change without notice due to continual improvements.