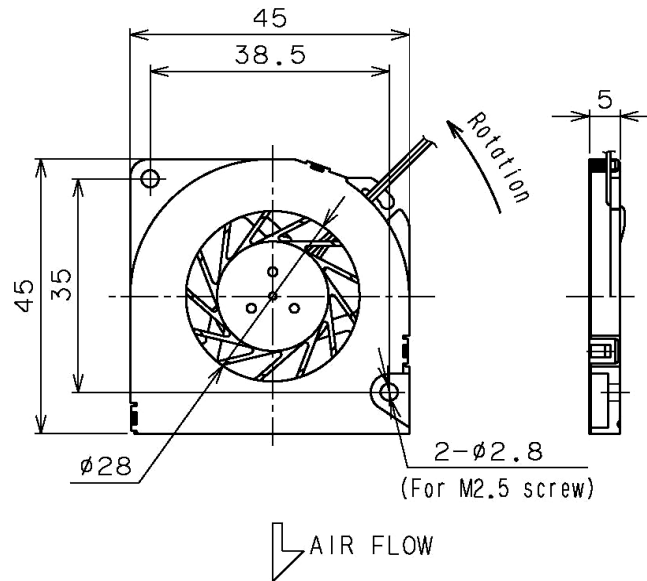


SEPA / NIPPON KEIKI WORKS, LTD

Double Inlet Blower Fan

■ Shapes & dimensions

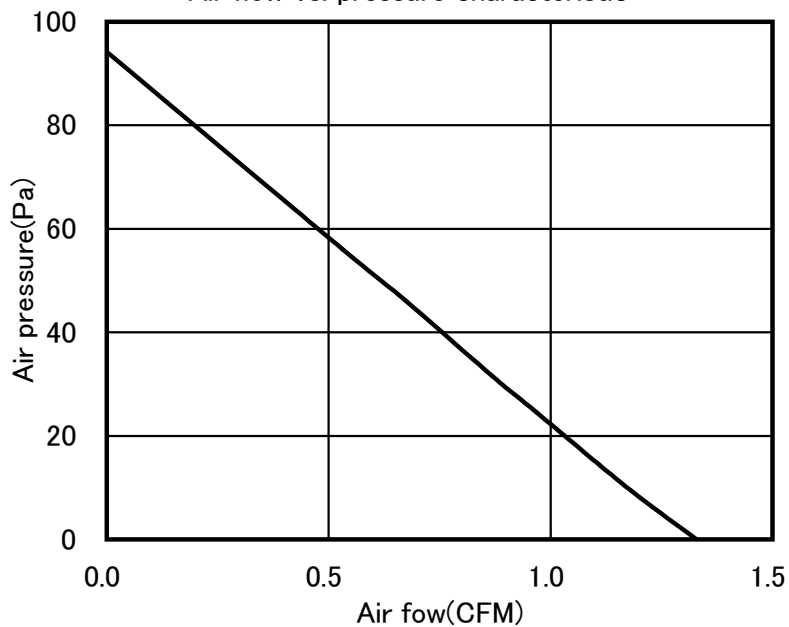


■ Performance

(Ta=25°C)

Model Type	HY45T-05	
Dimensions [mm]	45 × 45 × 5	
Rated voltage [V]	5	
Rated current [A]	0.15	
Max. air flow [CFM]	1.35	
	[m ³ /min]	0.038
Max. air pressure [Pa]	94.2	
Noise level(typ.) [dBA] at 1m	27	
Speed (typ.) [rpm]	5,200	

Air flow vs. pressure characteristic



● The specifications are subject to change without notice due to continual improvements.